

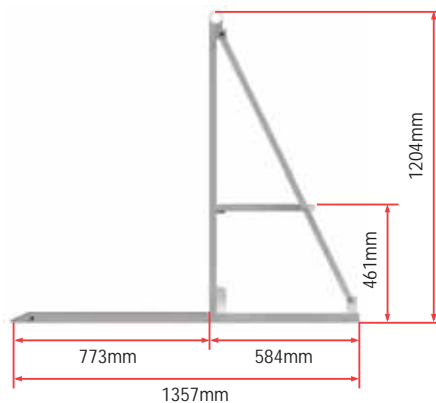
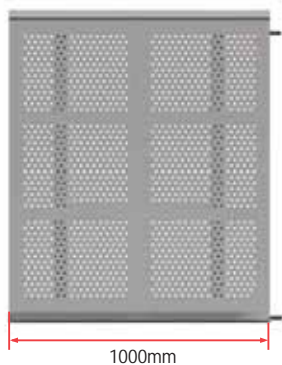
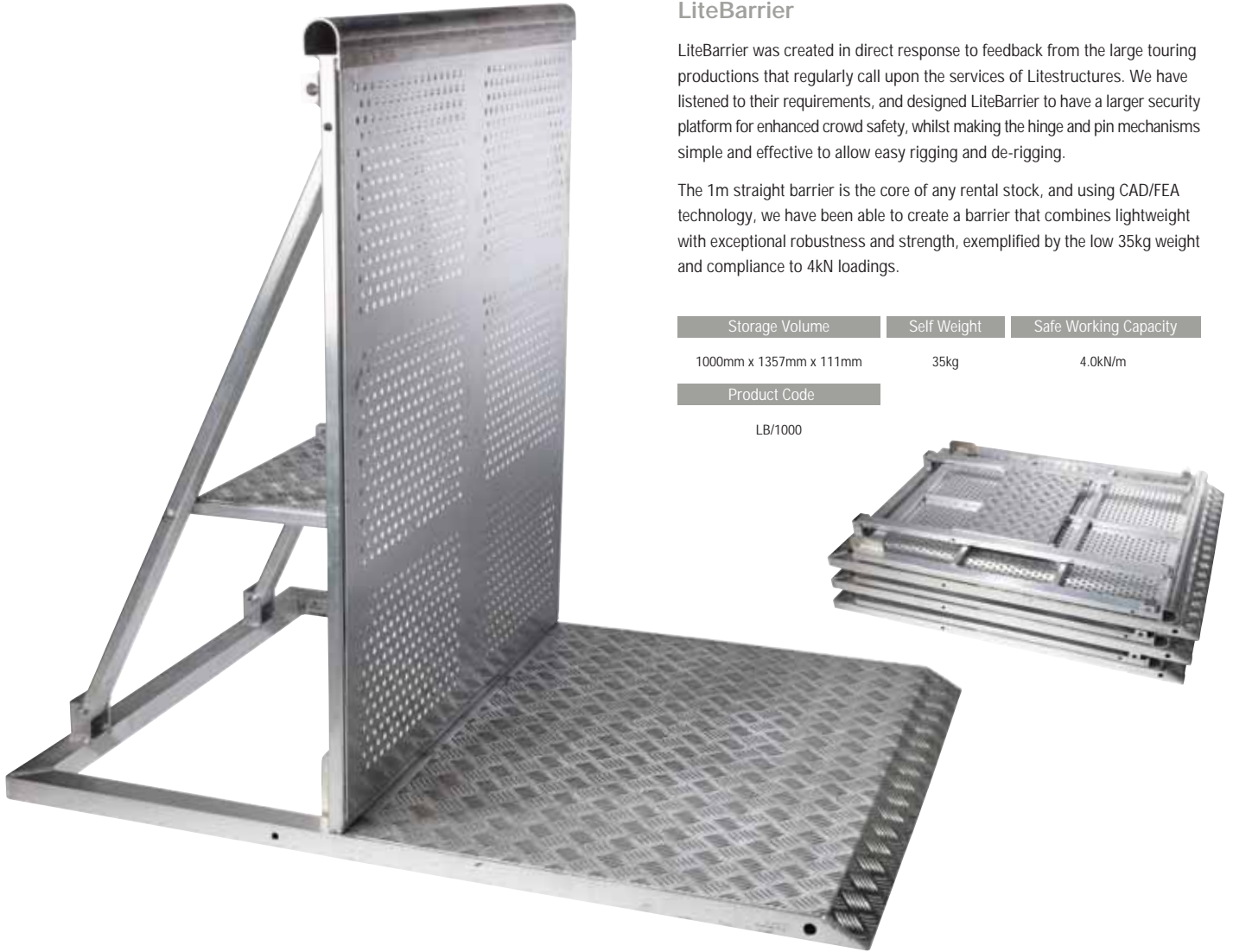
Designed to be used in the highly demanding environment of crowd control, LiteBarrier features a lightweight, yet durable construction, and as with all Litestructures products is manufactured to the highest quality. The front of the barrier has a profiled edge to avoid any trip hazard, and incorporates the largest security platform on the market to aid in the safe removal of crowd members. The barrier folds flat for transit and storage and is easy to erect and install.

### LiteBarrier

LiteBarrier was created in direct response to feedback from the large touring productions that regularly call upon the services of Litestructures. We have listened to their requirements, and designed LiteBarrier to have a larger security platform for enhanced crowd safety, whilst making the hinge and pin mechanisms simple and effective to allow easy rigging and de-rigging.

The 1m straight barrier is the core of any rental stock, and using CAD/FEA technology, we have been able to create a barrier that combines lightweight with exceptional robustness and strength, exemplified by the low 35kg weight and compliance to 4kN loadings.

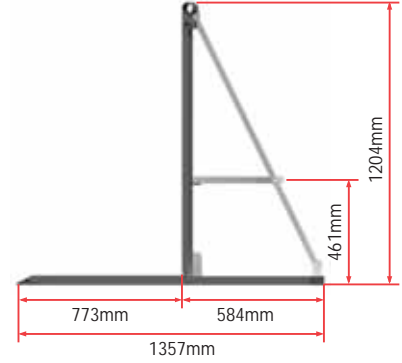
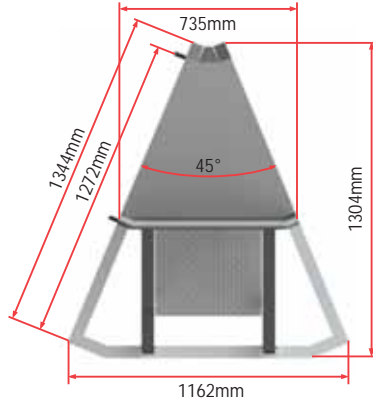
Storage Volume	Self Weight	Safe Working Capacity
1000mm x 1357mm x 111mm	35kg	4.0kN/m
Product Code		
LB/1000		



### Wedge 45

The Wedge 45 configuration provides an external angle of 45 degrees (included internal angle 135 degrees) between straight barrier sections. As with the complete LiteBarrier range, the Wedge 45 folds flat and is both lightweight and compliant to all relevant standards.

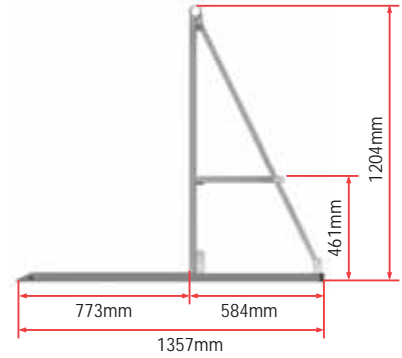
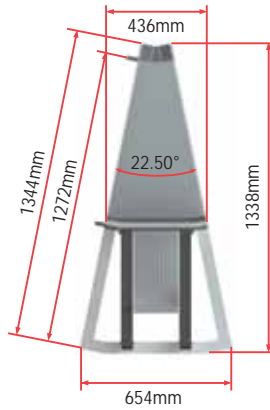
Product Code	Self Weight
LB/C45	27.86kg



### Wedge 22.5

The Wedge 22.5 configuration provides an external angle of 22.5 degrees (included internal angle 157.5 degrees) between straight barrier sections. As with the complete LiteBarrier range, the Wedge 22.5 folds flat and is both lightweight and compliant to all relevant standards.

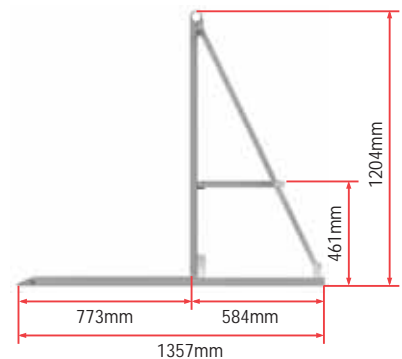
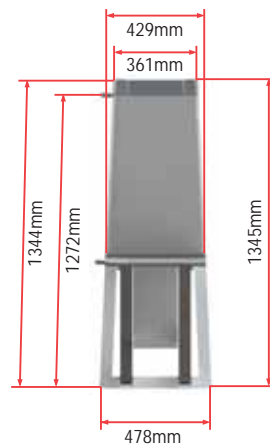
Product Code	Self Weight
LB/C22	20.90kg



### Wedge 5

The Wedge 5 configuration provides an external angle of 5 degrees (included internal angle 175 degrees) between straight barrier sections. As with the complete LiteBarrier range, the Wedge 5 folds flat and is both lightweight and compliant to all relevant standards.

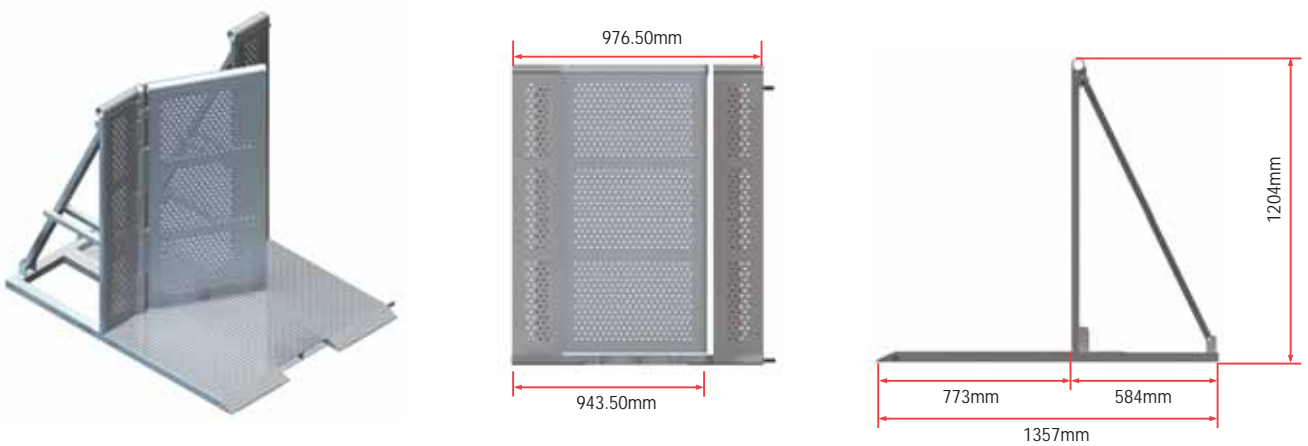
Product Code	Self Weight
LB/C05	21.54kg



### Access Gate

Intended to allow unimpeded access across the crowd line, both for security personnel and cabling or service, LiteBarrier AccessGate incorporates a hinged door in combination with a removable central floor tray.

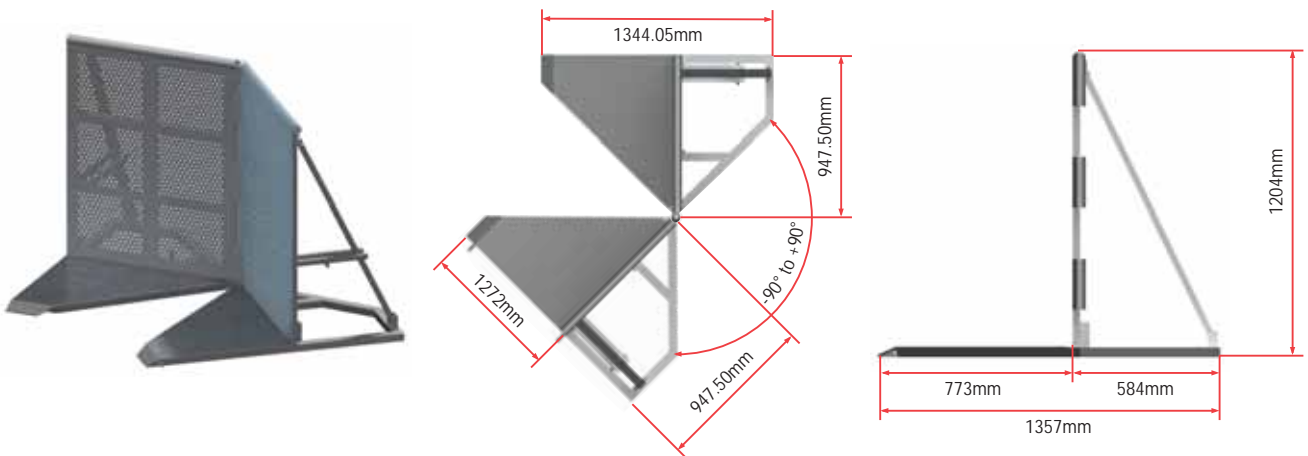
Product Code	Self Weight
LB/G1000	55.30kg



### Versa Corner

Designed to offer the most flexible solution to touring and rental companies, VersaCorner can be adjusted by a massive 180 degrees, allowing it to facilitate a multitude of crowd line configurations for differing event demands.

Product Code	Self Weight
LB/CV1	66.56kg

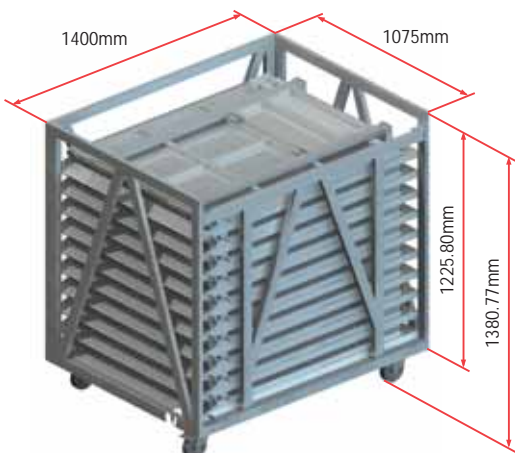


### Dolly XL

The BarrierDolly XL is designed to facilitate the easy stacking and storage of up to 12 LiteBarriers in one rack. Utilising an all aluminium frame, locking gate and durable braked nylon castors, BarrierDolly XL makes the transportation of large quantities of LiteBarrier quick and easy.

Description	Product Code	Self Weight
Dolly XL	LB/DXL	45.40kg*
Dolly SL	LB/DSL	28.50kg*

\* Self Weight empty



### Dolly SL

The smaller cousin of the XL model, BarrierDolly SL is designed specifically for environments where the loading of LiteBarrier is compromised by narrow entrances or corridors. Able to easily fit through a single doorway, BarrierDolly SL is capable of carrying six 1m Straight LiteBarrier, orientated sideways and slid in on Nylon runners. An all aluminium frame and braked castors complete this simple but effective solution.